

DH-22

Light Adjustability Control

Daylight Harvesting or Task Tuning



DH-22 light adjustability control sets the correct light levels while maximizing your energy savings.

- No more guessing light levels!
- Meets and exceeds energy codes Ashrae Standard 90.1 & California Title 24 2013
- Cost effective/fast ROI
- Continuous, smooth daylighting control to maintain the proper light level
- Task tuning eliminates over lighting
- Maximize energy savings
- Low voltage
- Small footprint
- Up to 75 fixtures with one device
- Works with 0 - 10 volt dimming drivers
- Extends life of fixture

Actual Size



Daylight Harvesting



Daylight Harvesting Light Setting Adjustment Pot

- 0 to 100% control
- Light transitions indiscernible
- Closed Loop
- 15 to 50 volts input voltage
- Adjustment range 0 to 100FC (0 to 1076 lux)
- 5 year warranty

Mounted to ceiling tile

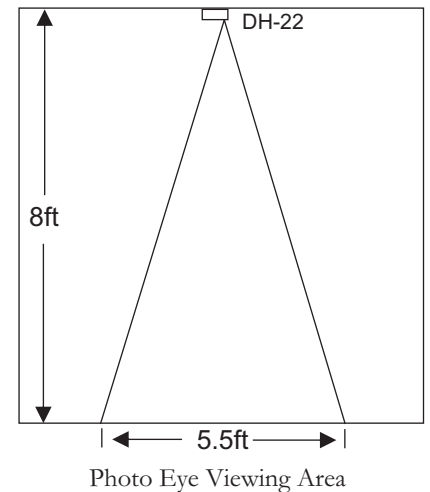


Control placement flexibility

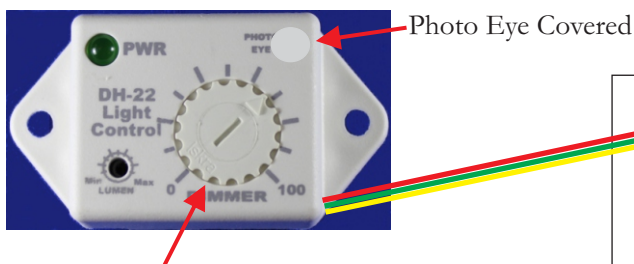
Dimensions

- Length 2.40" - 61mm
- Width 1.29" - 32mm
- Depth 0.60" - 15mm

Focused daylight viewing zone



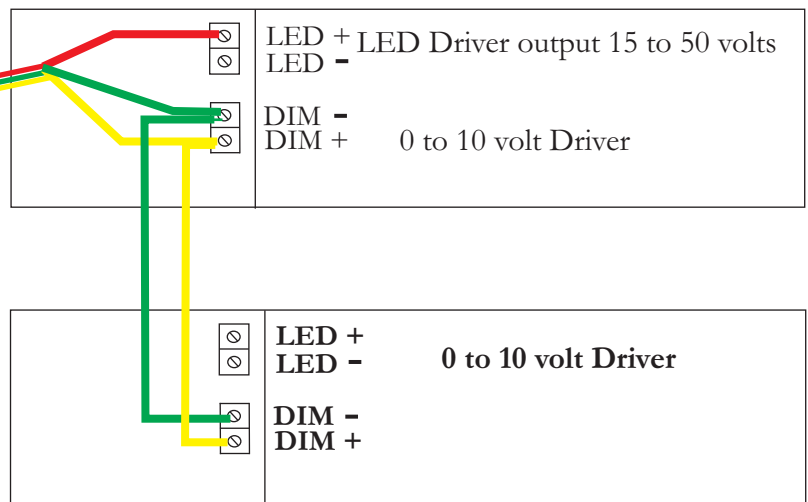
Manual Task Tuning the Light Level



Light Level Adjustment Knob

- Sets correct light levels
- Saves energy
- No guessing of light levels
- Extends lighting fixture life

Controller wiring



Can connect up to 75 drivers